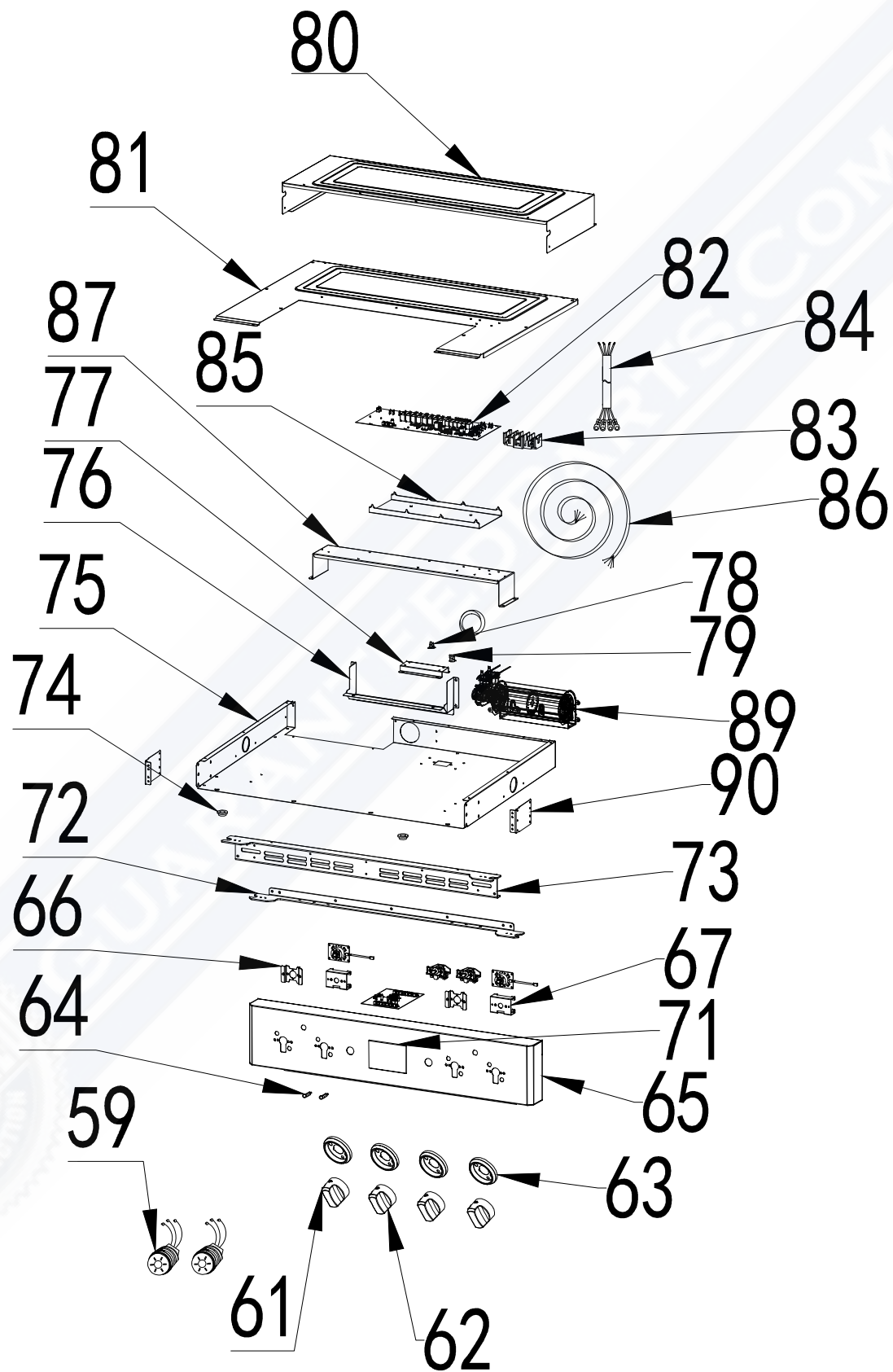
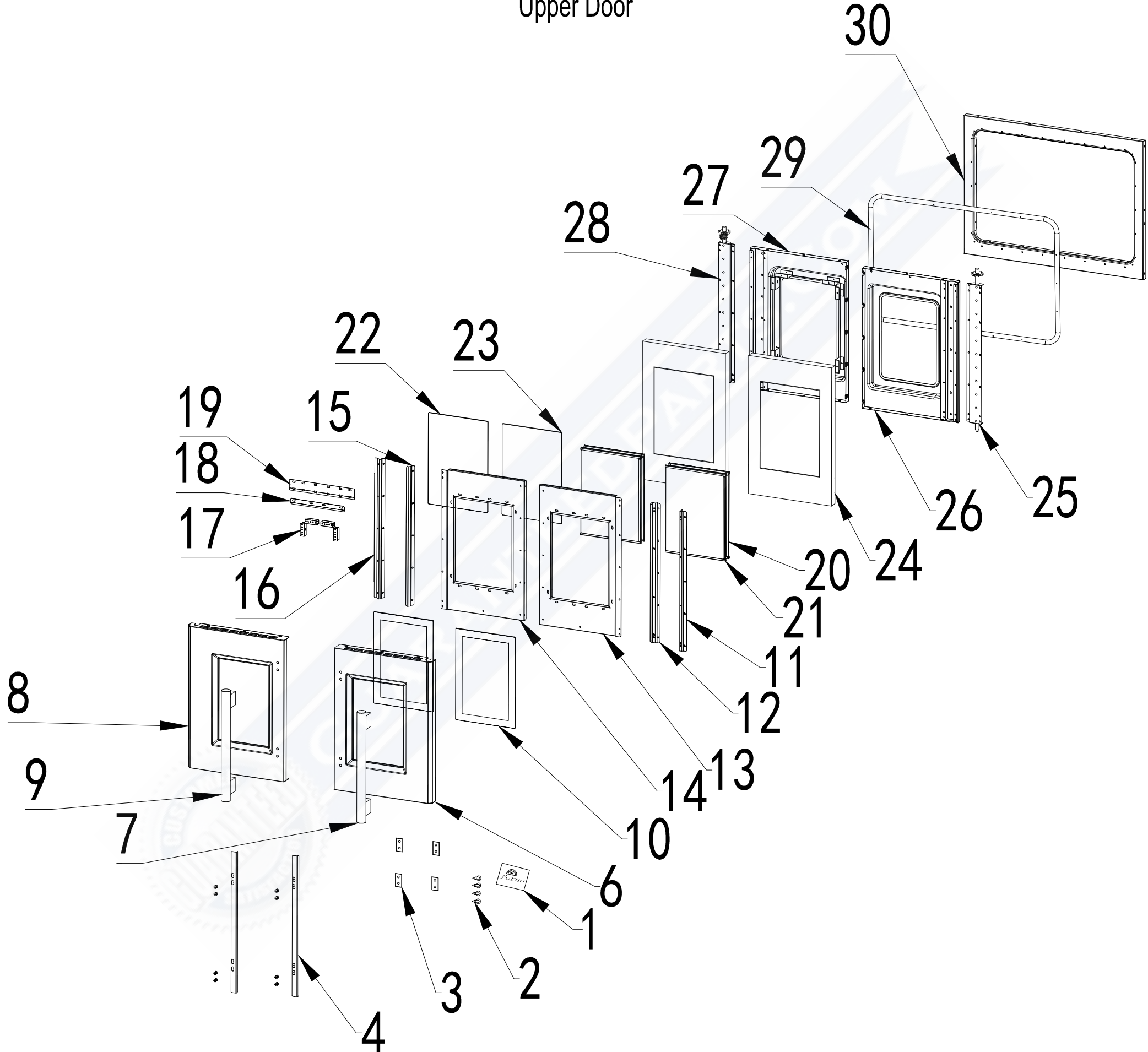


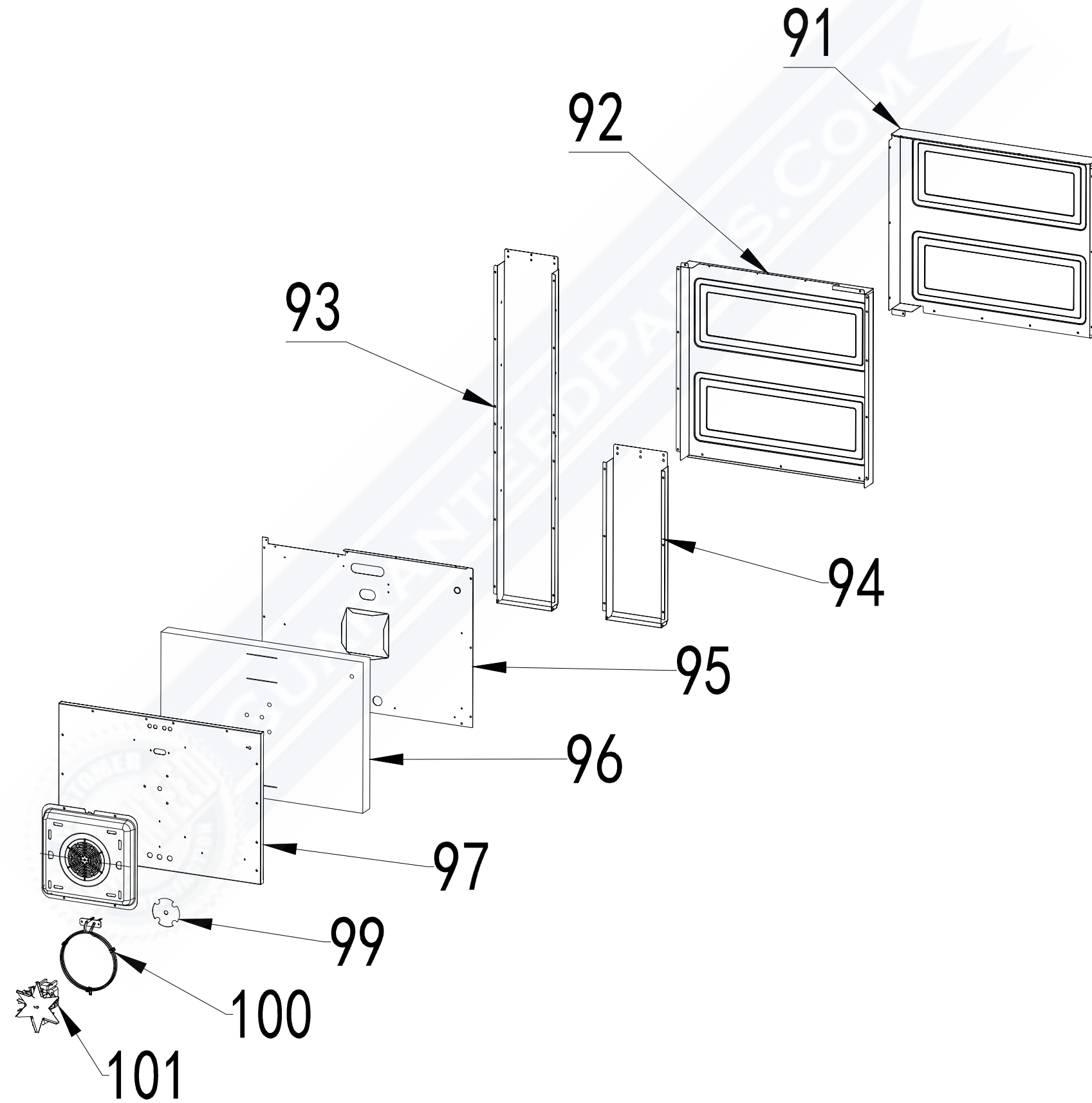
Control section

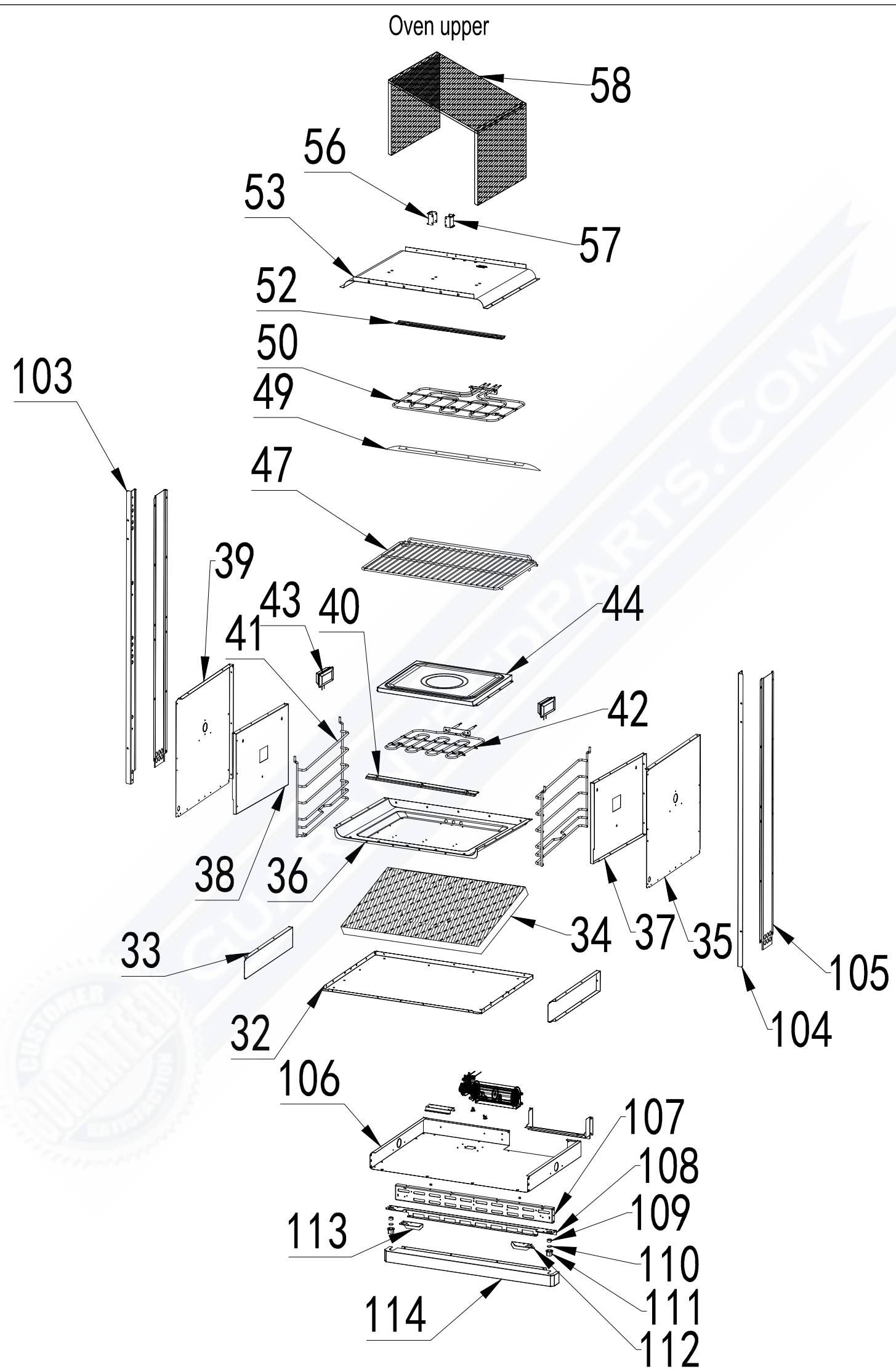


Upper Door

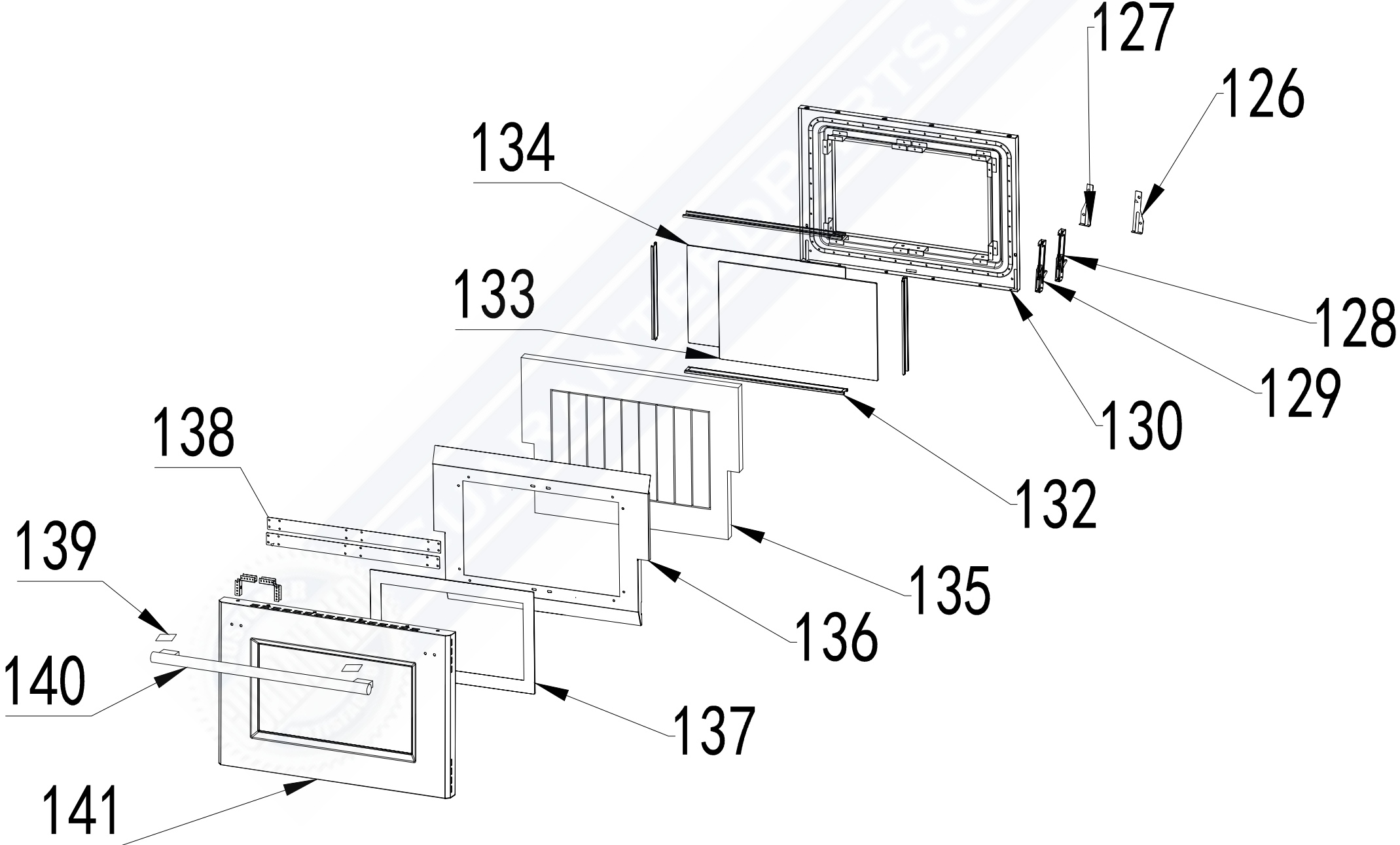


Cavity back

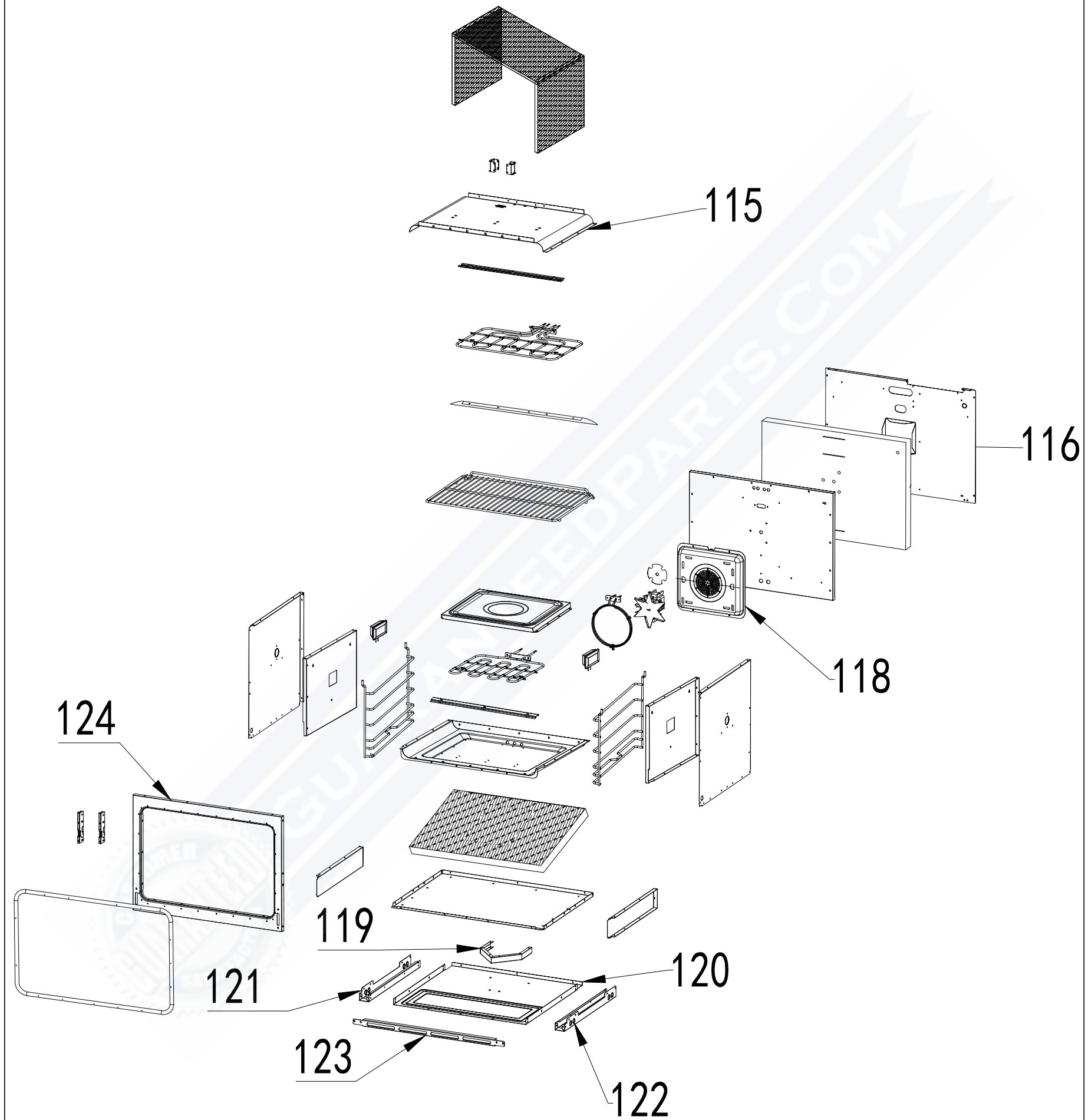




Lower Door



Lower oven



FBOEL1340-30

No.	Material Name	Material Code	Qty.
1	metal logo	G36R03-020010	1
2	drawer rubber mat	G20A01-120900	4
3	handle rubber mat	G18R43-100700	4
4	Handle strengthen bar	G36R43-100700	2
6	door outside plate-right	G30R43-100401	1
7	Handle right	G18R43-101901	1
8	door outside plate-left	G30R43-100400	1
9	Handle left	G18R43-101900	1
10	door outer glass	G18R43-101900	2
11	supported seal part for right door	G30R44-102100	1
12	seal part for right door	EDCR43-101100	1
13	door insulation plate R	G30R43-100801	1
14	door insulation plate L	G30R43-100800	1
15	supported seal part for left door	G36R43-102000	1
16	seal support for left door	G30R44-101000	1
17	door outer glass fixed part	G36R03-101200	14
18	left/right door outer glass pressing plate	G30R43-101400-02	4
19	door outer glass pressing plate	G30R45-101400-02	4
20	left/right frame body for door inside glass	G36X03-101601	6
21	up/down frame body for door inside glass	G30R43-101500	4
22	inner door glass	G30R43-100500	2
23	inner door LOW-E glass	G30R43-100501	2
24	glass wool for door	G30R43-103500	2
25	axis of rotation component right	EDCR43-101301-Z	1
26	Door frame right	G30R43-100601-Z	1
27	Door frame left	G30R43-100600-Z	1
28	axis of rotation component left	EDCR43-101300-Z	1
29	door seal bar	G48R03-071200	2
30	30" front panel	EDCR43-070103	1
32	cavity down bottom plate	EDCR43-071800	2
33	cavity down side plate	EDCR43-070400	4
34	30" cavity bottom plate glass wool-X01	G30X01-036000	2
35	right outside plate	EDCR43-071101	2
36	cavity down plate	C30X03-070705-Z	2
37	cavity top right side plate	G36X04-070516	2
38	cavity top left side plate	G36X04-070517	2
39	left outside plate	EDCR43-071100	2
40	heat element cushion plate	C30X04-080600	2

41	side rack	G36X03-073800	4
42	oven bottom heat element	EDCR43-091200	2
43	Oven lamp-square shape	G36X04-180100	4
44	oil baffle plate	EDCR43-215100	2
47	30"rack	G30X03-071900	4
49	30"front panel strip	G30X03-214501	2
50	broil heat element	EDCR43-091000	2
52	heat element cushion plate	C36X04-080600	2
53	cavity top plate component	EDCR43-070601-Z	1
56	chimney outer plate	EDCR43-365200	2
57	chimney inside plate	EDCR43-365100	2
58	cavity structure frame glass wool	EDCR43-070800	2
59	metal press button	EDCR43-170200	2
61	knob for oven function	EDCR43-030101	2
62	knob for thermostat	EDCR43-030100	2
63	knob ring	G36R03-030201	4
64	red LED light	EDCR44-031000-7	2
65	control panel	EDCR43-030300	1
66	potentiometer fixed part	EDCR43-100700	2
67	potentiometer support	EDCR44-190500	2
71	display glass for sous vide function	E30E03-030301	1
72	door top connection plate	EDCR43-022200	1
73	Door top connection plate with hole	EDCR43-022300	1
74	Copper bush	G36R43-130100	2
75	cavity top insulation plate	ESCR43-074500	1
76	cooling fan support	EDCR43-075300	2
77	chimney baffle plate	EDCR43-074400	2
78	Thermo-controller 50	C36R05-076200	2
79	Thermo-controller 140	EDCR43-076200	2
80	control panel cover	EDCR43-074900	1
81	cavity top isolation plate	EDCR43-074800	1
82	control system	EDCR43-030900	1
83	power cord terminal	E20F01-106400	1
84	power cord	EDCR43-160100	1
85	control panel installation board	EDCR43-075000	1
86	wires for double wall oven-low end	EDCR43-180300	1
87	PCB support part	EDCR43-073000	1
89	cooling fan	EDCR43-200900	2
90	cavity top insulation plate strengthen part	EDCR43-074700	2
91	cavity top baffle plate	ESCR43-072000	1

92	cavity down baffle plate	EDCR43-072000	1
93	top air guide plate	EDCR43-075700	1
94	down air guide plate	EDCR43-075600	1
95	cavity back insulation plate	ESCR43-072201	1
96	cavity back plate glass wool	EDCR43-072900	2
97	cavity back plate	EDCR43-070300	2
99	fan motor baffle plate	C36A01-073100	2
100	back heat element	C20A01-091602	2
101	fan motor	G20A01-091501	2
103	installation fixed part left	EDCR43-214502	1
104	installation fixed part right	EDCR43-214503	1
105	outside fixed part	EDCR43-071200	2
106	cavity down insulation plate	EDCR43-074500	1
107	cavity top strengthen beam	EDCR43-022100	1
108	door downside connection plate	EDCR43-985600	1
109	rotate axis coat	G36R43-002200	2
110	rubber mat	G36R43-002300	2
111	adjustable bottom base	G36R43-002100	2
112	bottom rotate fixed part right	EDCR43-032101	1
113	bottom rotate fixed part left	EDCR43-032100	1
114	top decoration plate	EDCR43-120100	1
115	cavity top plate component	EDCR43-070600-Z	1
116	cavity back insulation plate	EDCR43-072200	1
118	fan motor cover	G20H08-091700	2
119	air guide V shape support	EDCR43-080600	1
120	bottom plate connection part	EDCR43-200800	1
121	bottom plate support R	EDCR43-071001	1
122	bottom plate support L	EDCR43-071000	1
123	down decoration strengthen support	D30R01-120200	1
124	front panel	EDCR43-070102	1
126	door strengthen part R	G36X03-101002	1
127	door strengthen part L	G36X03-101003	1
128	30"door hinge right	G30R03-110010	1
129	30"door hinge left	G30R03-110000	1
130	Door frame	G30R03-100600-Z	1
132	up/down frame body for door inside glass	G30X03-101501	2
133	inner door LOW-E glass	G30R03-100501	1
134	inner door glass	G30R03-100500	1
135	glass wool for door	G30X03-103500	1
136	door insulation plate	G30X03-101401	1

137	door outer glass	G30R03-101100	1
138	door outer glass pressing plate	G30R03-101400-02	2
139	handle rubber mat	G36R03-100700	2
140	30"Handle	G30R04-101900	1
141	door outside plate	EDCR43-100400	1

GUARANTEEDPARTS.COM

